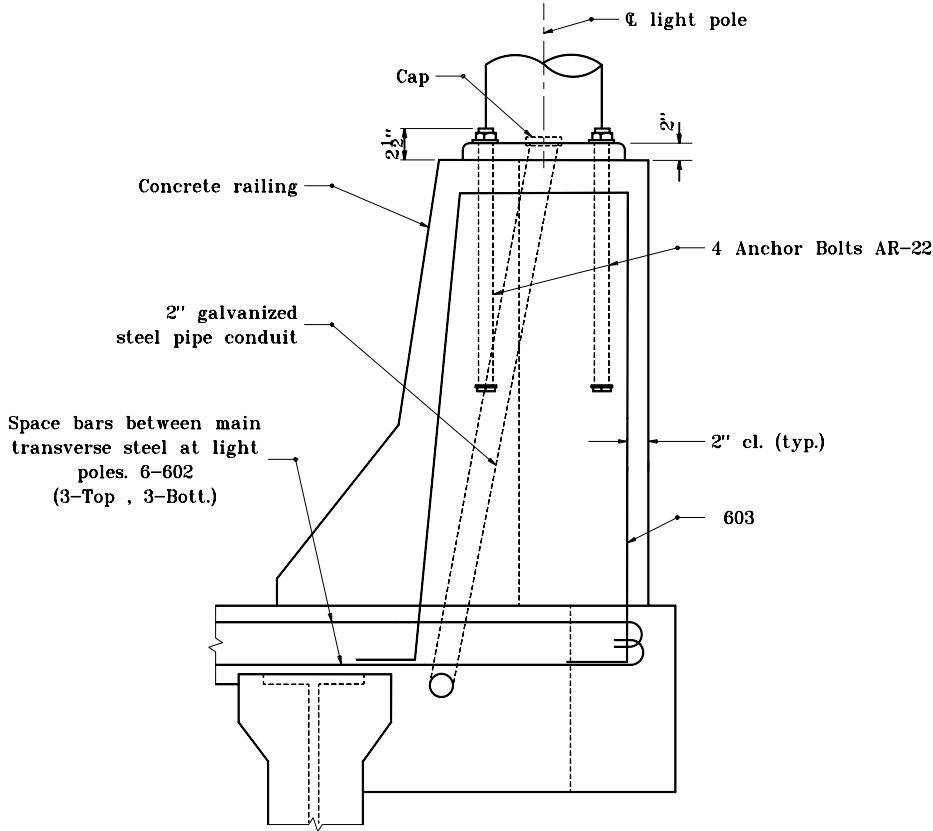
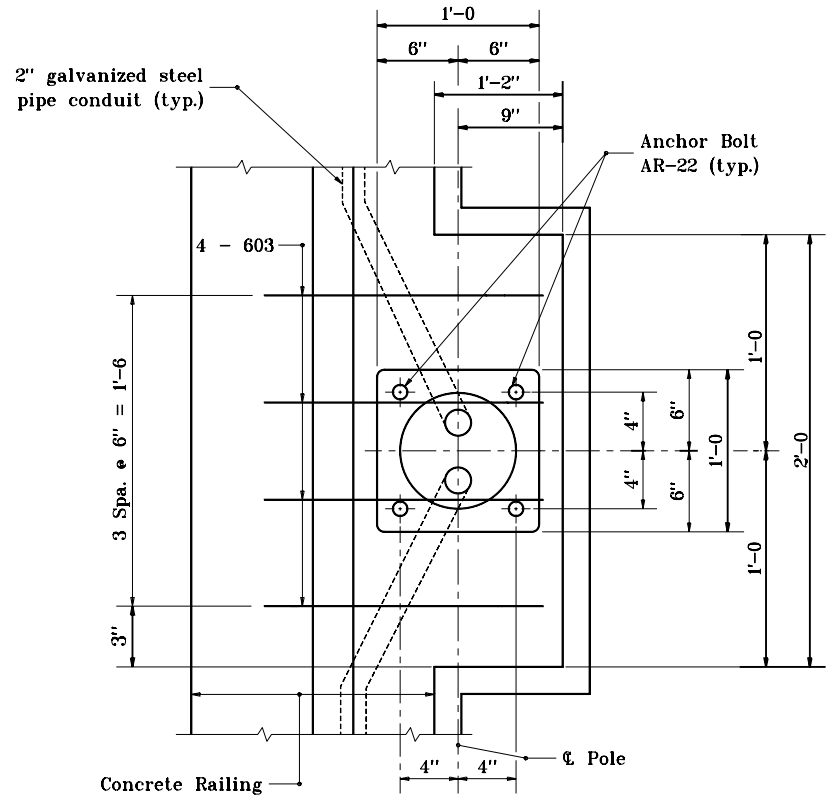


GENERAL NOTES

1. See Standard Drawing E 807-BLIT-03 for bending diagrams.



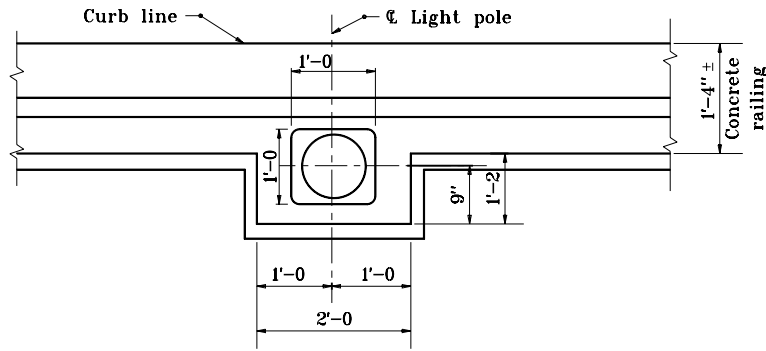
SECTION



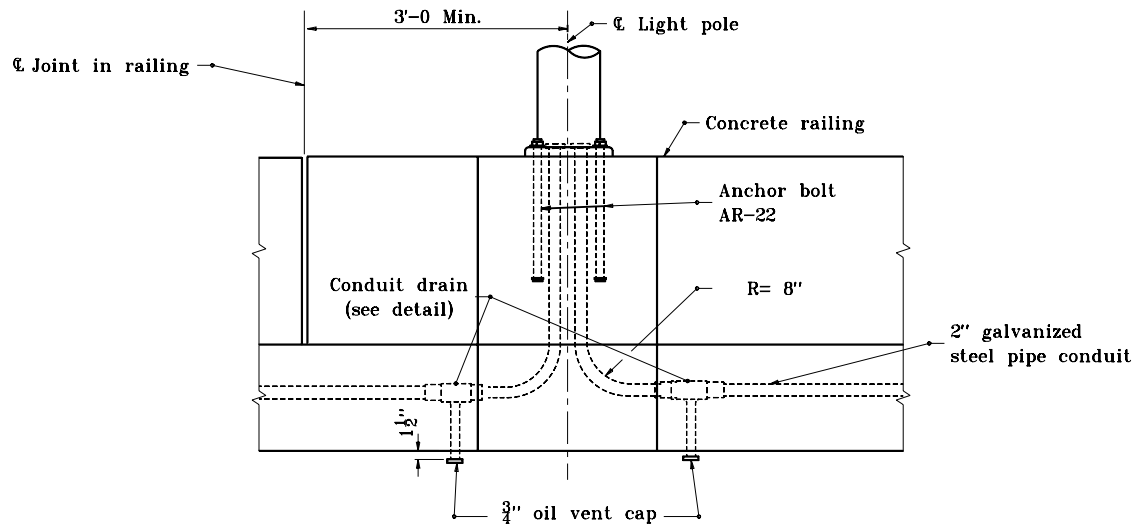
The bolt circle diameter is approximately 11 1/2".

PLAN

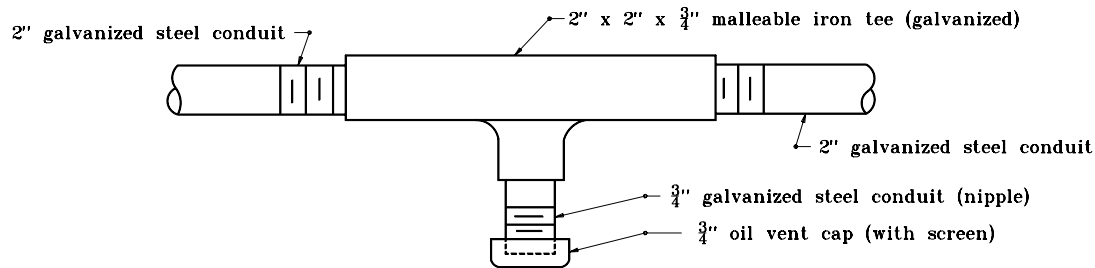
INDIANA DEPARTMENT OF TRANSPORTATION	
BRIDGE LIGHTING DETAILS	
SEPTEMBER 1997	
STANDARD DRAWING NO. E 807-BLIT-01	
	DETAILS PLACED IN THIS FORMAT 11-15-99 /s/ Anthony L. Uremovich 11-15-99 DESIGN STANDARDS ENGINEER DATE
/s/ Firooz Zandi CHIEF HIGHWAY ENGINEER	11-15-99 DATE
DESIGN STANDARDS ENGINEER	ORIGINALLY APPROVED 9-01-97



PLAN



TYPICAL ELEVATION



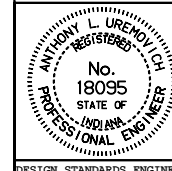
CONDUIT DRAIN DETAIL

INDIANA DEPARTMENT OF TRANSPORTATION

BRIDGE LIGHTING DETAILS

SEPTEMBER 1994

STANDARD DRAWING NO. **E 807-BLIT-02**



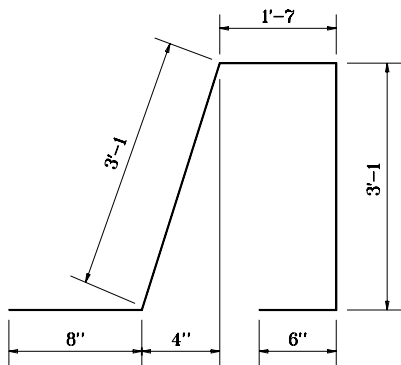
DETAILS PLACED IN THIS FORMAT 11-15-99

/s/ Anthony L. Uremovich 11-15-99
DESIGN STANDARDS ENGINEER DATE

/s/ Firooz Zandi 11-15-99
CHIEF HIGHWAY ENGINEER DATE

DESIGN STANDARDS ENGINEER

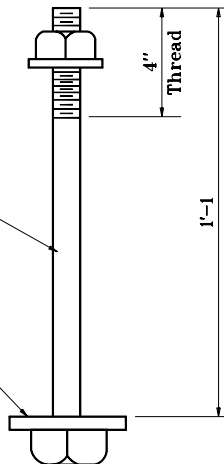
ORIGINALLY APPROVED 9-30-94



603 x 8'-11

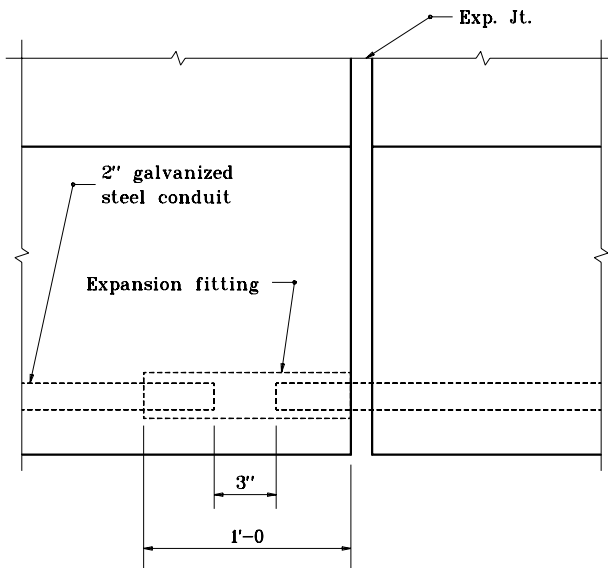
1" x 1'-1 bolt (with square head, hex nut & cut washer)

Ø 4"x 4" x 1/4"

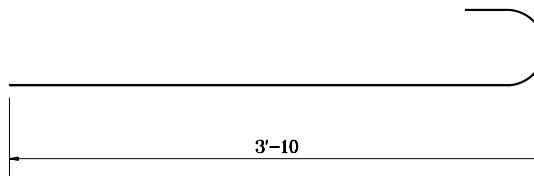


Galvanize thread, hex nut & cut washer.

ANCHOR BOLT AR-22



EXPANSION SLEEVE



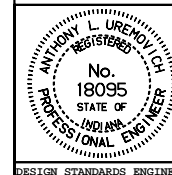
602 x 4'-8

INDIANA DEPARTMENT OF TRANSPORTATION

BRIDGE LIGHTING DETAILS

SEPTEMBER 1997

STANDARD DRAWING NO. **E 807-BLIT-03**



DETAILS PLACED IN THIS FORMAT 11-15-99

/s/ Anthony L. Uremovich 11-15-99
DESIGN STANDARDS ENGINEER DATE

/s/ Firooz Zandi 11-15-99
CHIEF HIGHWAY ENGINEER DATE

DESIGN STANDARDS ENGINEER

ORIGINALLY APPROVED 9-01-97

GENERAL NOTES

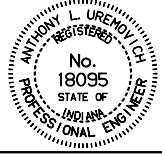
1. See General Plan for location of light posts.
2. See Bill of Materials for reinforcing steel.
3. Ream and cap all ends.
4. Carry conduit 2'-0" beyond shoulder line.
5. Bars 602 and 603 shall be epoxy coated.
6. Mast arm shall be truss type.
7. Vertical contraction joints in the railing shall be located a minimum of 3'-0" from the centerline of the light pole.

INDIANA DEPARTMENT OF TRANSPORTATION

BRIDGE LIGHTING DETAILS

SEPTEMBER 1997

STANDARD DRAWING NO. E 807-BLIT-04

 <p>ANTHONY L. UREMOWICH REGISTERED No. 18095 STATE OF INDIANA PROFESSIONAL ENGINEER</p>	DETAILS PLACED IN THIS FORMAT	11-15-99
	/s/ Anthony L. Uremovich	11-15-99
	DESIGN STANDARDS ENGINEER	DATE
	/s/ Firooz Zandi	11-15-99
	CHIEF HIGHWAY ENGINEER	DATE
	ORIGINALLY APPROVED	9-01-97